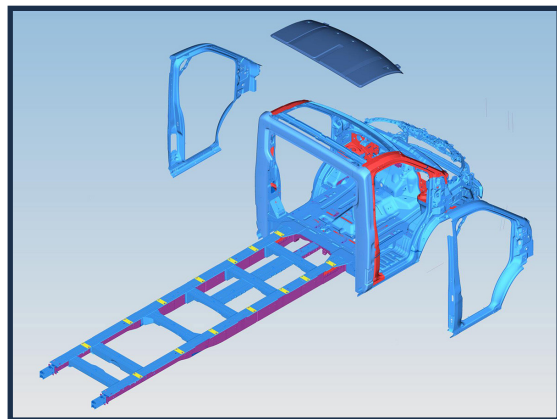
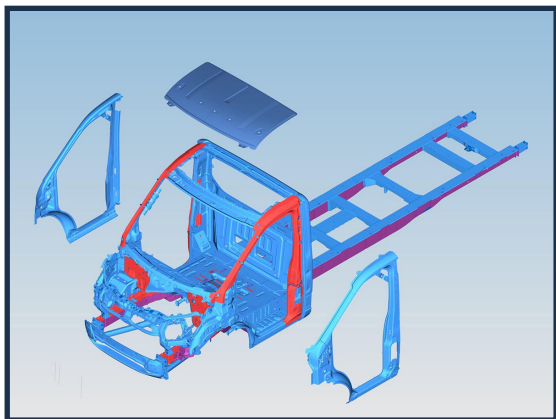




# Ford Transit Chassis Cab and Cutaway Models

Adding capability, fuel economy and excellent driving dynamics, Transit sets the new standard for full-size commercial chassis cab and cutaway models up to a 10,360-pound GVWR, offering maximum adaptability and versatility for commercial customers. The uni-ladder frame is reinforced with 50,700-psi high-strength steel, while critical cab components contain boron for strength and weight savings.



**Key:** ■ Steel ■ High-strength steel ■ Boron high-strength steel ■ Upfit mounts

Contemporary interior design optimized for productivity

Crew Chief™ in-vehicle monitoring system



MyKey® speed and audio system volume programmability

SYNC® with available MyFord Touch®

Available 3.5-liter EcoBoost® premium engine

Aero mirrors, available with power assist and integrated turn signals

Fuel filler integrated with driver door for improved security

Pre-wired harness for upfitted body lighting

Available with single- or dual-rear wheels

Available 3.2-liter Power Stroke® Turbo Diesel five-cylinder engine

Available Class IV trailer tow package with tow/haul mode



Standard 3.7-liter Ti-VCT V6 engine (offers CNG/LPG prep kit)

Six-speed automatic transmission

AdvanceTrac® with Roll Stability Control™

Two wheelbases available

Standard or available extended-length frame

Tire pressure monitoring system

Available frame extension plates for long body accommodation